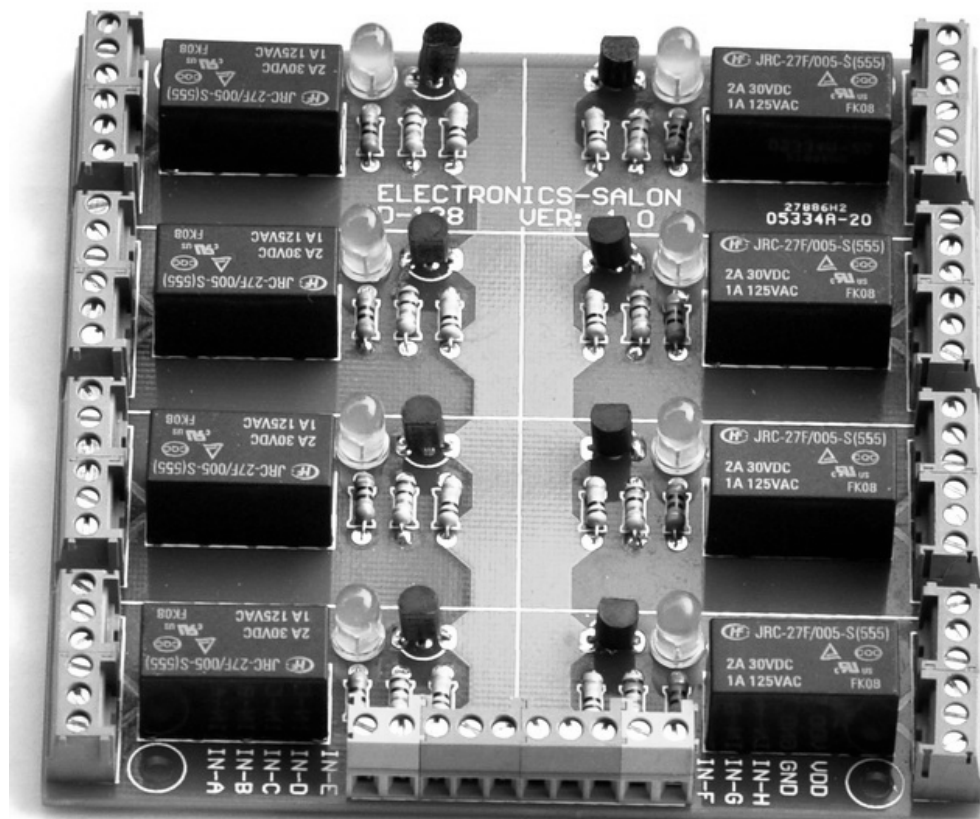


Electronics-Salon

SPECIFICATION

Model: D-128



Eight DPDT signal relays module board.

Led indicator for each relay.

BC517 Darlington transistor driving relay, Improve the reliability of action.

FR-4 Fiber glass PCB (Double Layer).

PCB thickness: 1.6mm.

Size: 100 x 100 x 16 mm (approximately 4 x 4 x 0.64 inch).

Power Supply:

24V version: 24VDC / 150mA (relay all ON).

12V version: 12VDC / 250mA (relay all ON).

5V version: 5VDC / 400mA (relay all ON).

Input control signal voltage:

0V - 0.5V Low stage (relay is OFF),

0.5V – 2.5V (unknown state).

2.5V - 20V High state (relay is ON).

Input control signal high state current:

2.5V: 0.1mA

3.3V: 0.18mA

5V: 0.35mA

12V: 1.1mA

20V: 1.9mA

Relay Spec:

Coil:

24V version: RY24W-K

Voltage: 24V DC.

Current: 8.3mA.

Resistance: 2880 ohm +-10%.

12V version: JRC-27F/012 S

Voltage: 12V DC.

Current: 16.7mA.

Resistance: 720 ohm +-10%.

5V version: JRC-27F/005 S

Voltage: 5V DC.

Current: 40mA.

Resistance: 125 ohm +-10%.

Contact Rating:

5V and 12V version:

Contact Resistance: <0.05 ohm.

Contact Capacity: 125V AC 1 Amp, 30V DC 2 Amp.

24V version:

Contact Resistance: <0.1 ohm.

Contact Capacity: 125V AC 0.5 Amp, 24V DC 1 Amp.

Relay Datasheet:

5V and 12V version:

<http://www.wwb-st.com/002/HF/JRC-27F.pdf>

24V version:

<http://www.fujitsu.com/downloads/MICRO/fcai/relays/ry.pdf>

Terminal Connection:

VDD: Power supply input.

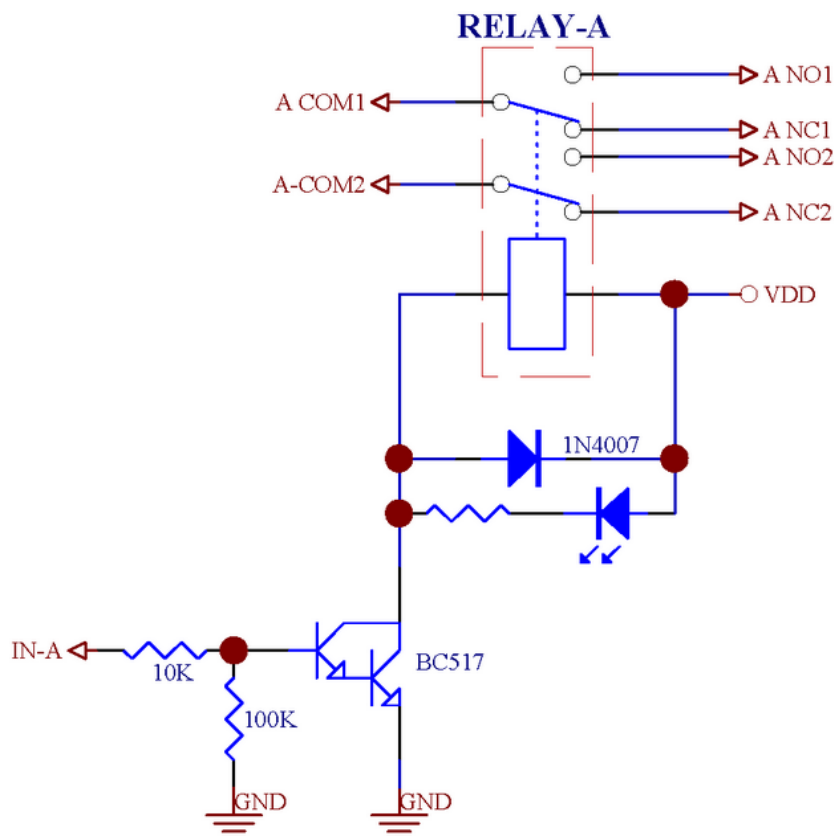
GND: Power supply ground and control signal ground.

COM / NO / NC:

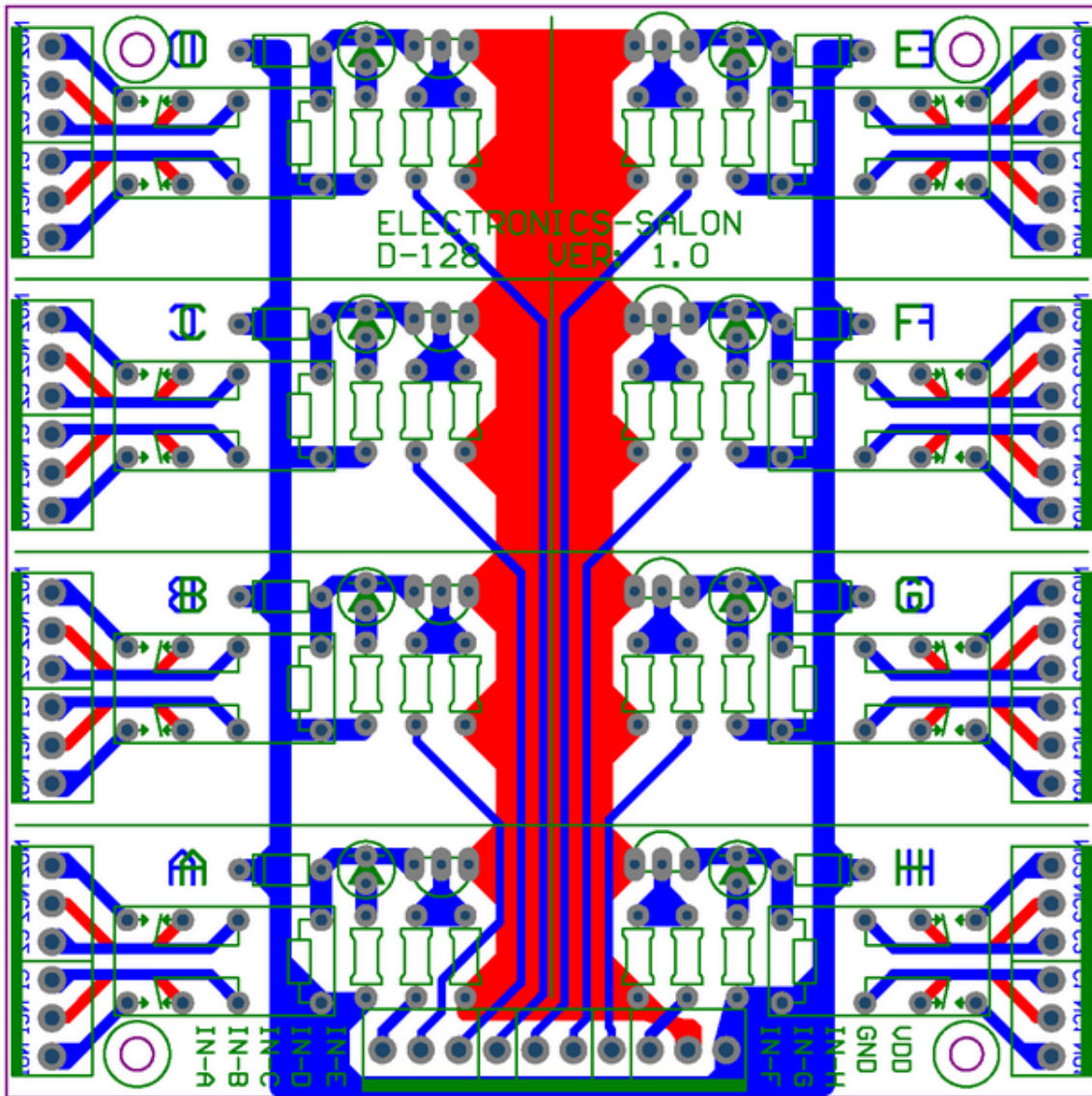
Control signal state low, the relay OFF, COM - NO disconnected, COM - NC connected.

Control signal stage high, the relay ON, COM - NO connected, COM - NC disconnected.

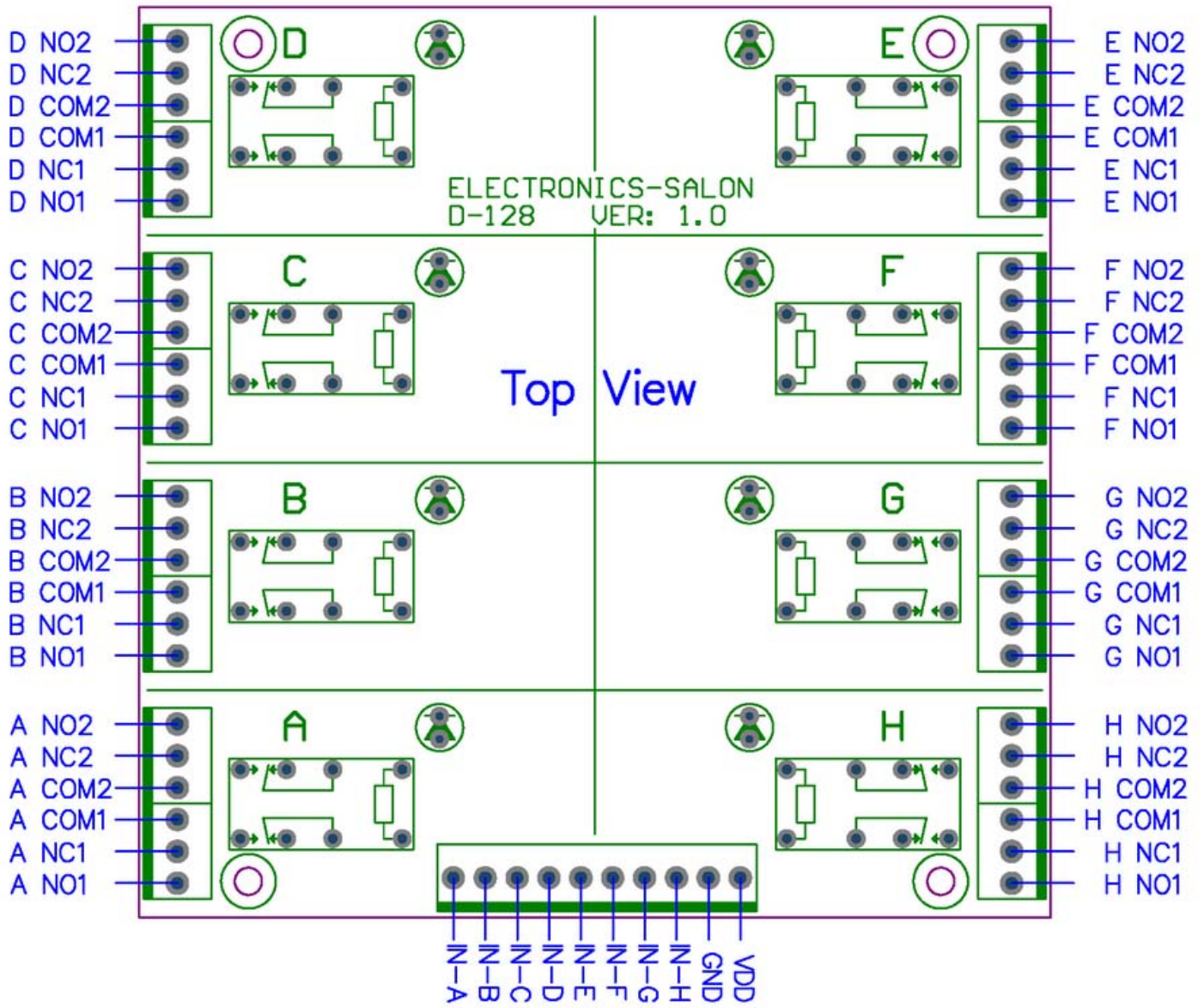
Schematic (a relay):



PCB Top and Bottom layer:



Wire Connection:



PCB Size:

