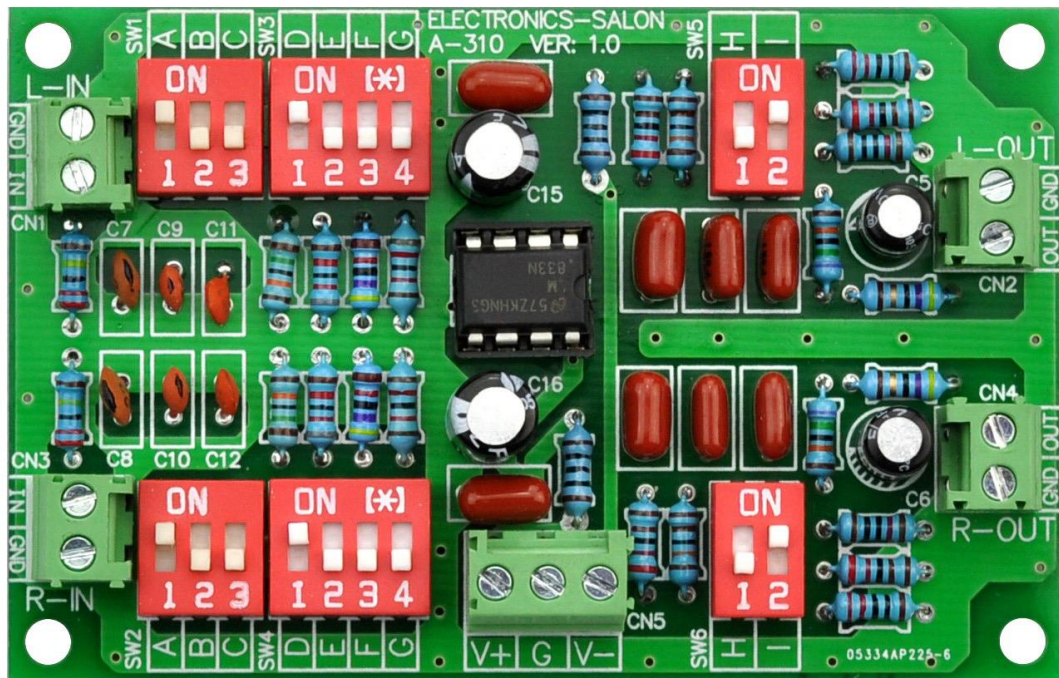


AudioWind Electronics-Salon

SPECIFICATION

Model: A-310



Stereo Phono RIAA Preamplifier Module Board

Best Operating Voltage:	+/-9V DC to +/-15V DC.
Gain:	30 / 50dB, DIP switch on board option.
Input Resistance:	12K to 2.2M ohm, DIP switch on board option.
Input Capacitance:	0, 22, 47, 100pF, DIP switch on board option.
Output Impedance:	47 ohm.
RIAA Accuracy:	<1.5dB.
Bandwidth:	20 to 20KHz (-3dB).
Distortion:	0.05% (@1KHz).
SNR:	>68dB (two 9V batteries supply).
Size:	78 x 50 x 16mm (L x W x H).

Terminal Block Connect:

CN5, Power Supply:

V+, power supply positive.

G, power supply 0V / ground.

V-, power supply negative.

CN1 and CN3, left / right channel audio signal input.

IN, signal input.

GND, signal ground.

CN2 and CN4, left / right channel audio signal preamplifier output.

OUT, signal output.

GND, signal ground.

Input capacitance DIP switch option(SW1, SW2):

A(1)	B(2)	C(3)	Capacitance
OFF	OFF	OFF	0pF
ON	OFF	OFF	22pF
OFF	ON	OFF	47pF
OFF	OFF	ON	100pF

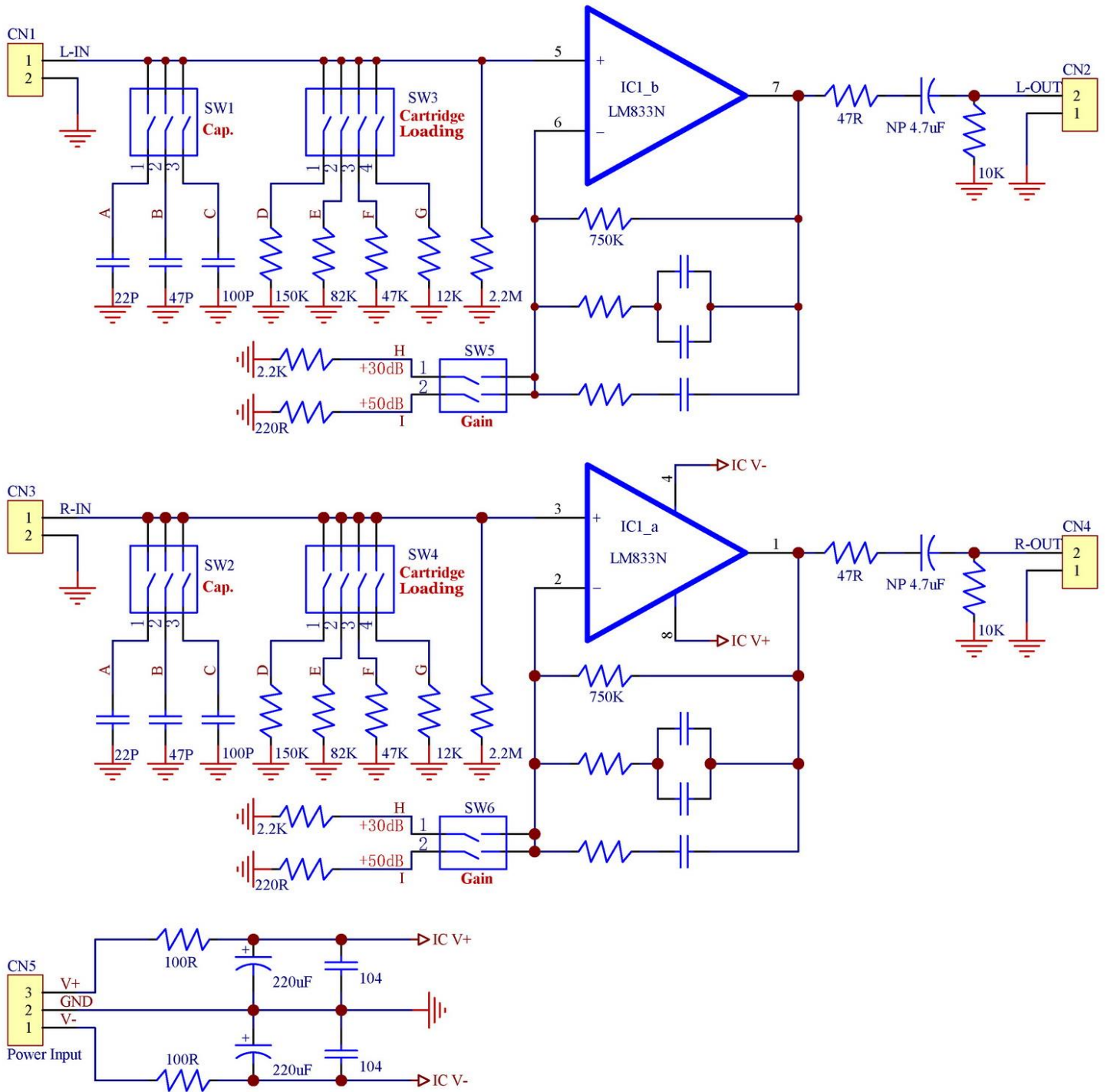
Input resistance DIP switch option(SW3, SW4):

D(1)	E(2)	F(3)	G(4)	Resistance
ON	OFF	OFF	OFF	150K ohm
OFF	ON	OFF	OFF	82K ohm
OFF	OFF	ON	OFF	47K ohm
OFF	OFF	OFF	ON	12K ohm
OFF	OFF	OFF	OFF	2.2M ohm

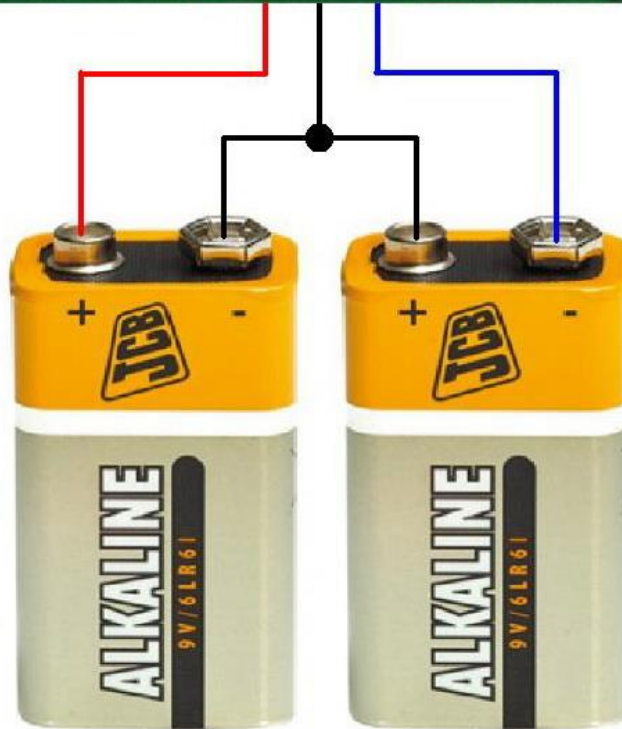
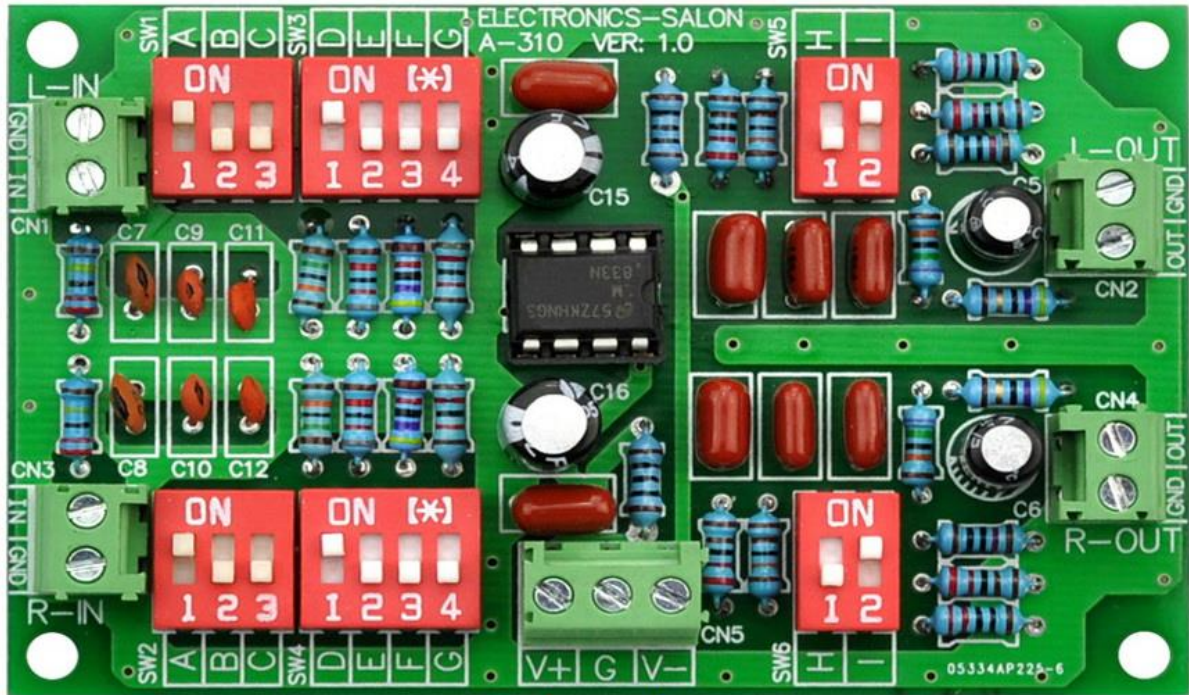
Voltage gain DIP switch option(SW5, SW6):

H(1)	I(2)	Gain
ON	OFF	30dB
OFF	ON	50dB

Simple Schematic:



About power supply connect, for a example use two 9V batteries:



Change information:

March-29, 2018:

1, OPAMP IC OPA2134PA changed to LM833N, and added IC socket to support pluggable IC mount.

2, All carbon film resistors changed to metal film resistors.